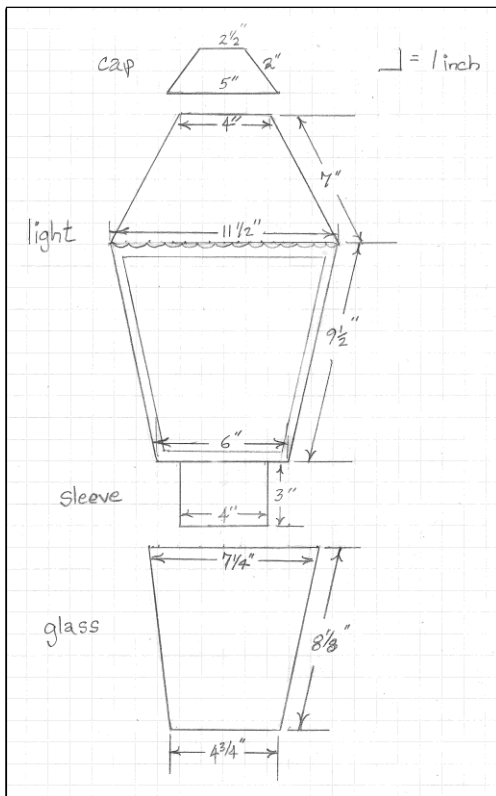


Taormina Historic District

TAORMINA STREET LAMP



The CC&Rs (Part I, Section 2-g) specify that all Taormina homes must maintain a street lamp, kept lighted, at the curb. The original street lamp was a black cast iron lamp with four glass panes, set on top of a three inch metal post. The interior of the lamp had two silk gas mantles that burned with natural gas fed through underground gas lines from each house.

Today the source of light can be gas, low voltage electric lights, 110 volt light bulbs or solar powered lighting.

While several variations on the original design exist it is preferable that any new or replacement fixture for the street lamp be as close as possible to the original design.

Specifications for the original style street lamp are shown to the left of this paragraph. Examples currently found in the community are represented below.



